

Product Features :

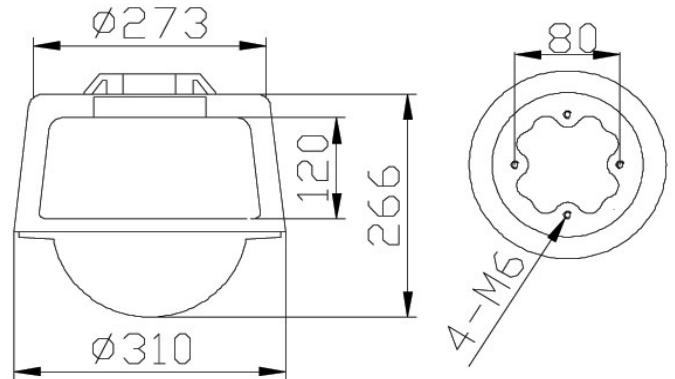
- Airproof Design IP67
- Nitrogen gas Fillable Dome
- Low Pressure Alarm
- For Wet or Dusty Environment
- AC24V Power Supply



Specification:

CD55NV-PD

Type:	High Resolution Color Camera
Pick-up Device:	1/4" Exview HAD CCD
Active Pixels:	752(H) x 582(V)
Horizontal Resolution:	480TVL
Scanning Frequency:	15.625Khz(H) 50Hz
Scanning System:	2:1 Interlace
Mini Illumination:	0.01 LUX
Sync. System:	Internal
S/N Ratio:	> 50dB
Electronic Shutter:	1/1~1/10000s
Focal Length:	f=4.1~7.8mm
White Balance:	Auto / Manual
Lens:	f=4.1~7.8mm
Zoom:	Total 216X Optical 18X Digital 12X
Gamma:	0.45
Video Output:	1.0Vp-p (75ΩBNC)
Focal & Iris:	Auto / Manual



Mechanism Parameter:

Manual Pan Speed:	0°~240°/s
Manual Tilt Speed:	0°~120°/s
Pan Range:	360°
Tilt Range:	90°
Preset Position & Cruising Track:	64 Presets
Communication:	Multiprotocol, RS485
Power Supply:	AC24V
Weight:	6Kg / 12Lbs
Operating Pressure:	20.7Kpa~34.5Kpa
Relief Valve Pressure:	69Kpa
Operating Temperature:	(-30°C ~ +60°C)
Relative Humidity:	100%