

## Outdoor IR PTZ Camera

# CD56NVIR

### Product Features :

- Outdoor PTZ IR Camera
- 216X High Resolution (Day & Night)
- 480 TVL
- AC24V ( optional DC12V)



### Video :

Optical Technology Base:	High Resolution Color 1/4" image Sensor
Picture Elements (H x V in mm):	EIA/NTSC: 795H x 596V
Resolution:	480 Lines
Mini Illumination:	0.01 Lux
S/N Ratio:	>50dB
Shutter Speed:	1/1~1/10000s
Zoom:	18X Optical 12X Digital
Focus:	Auto / Manual
Focal Length:	f=3.5~63.0 mm 18X
Iris:	Auto / Manual
White Balance:	Auto / Manual
Video Output:	1Vp-p , 75 Ω

### PTZ:

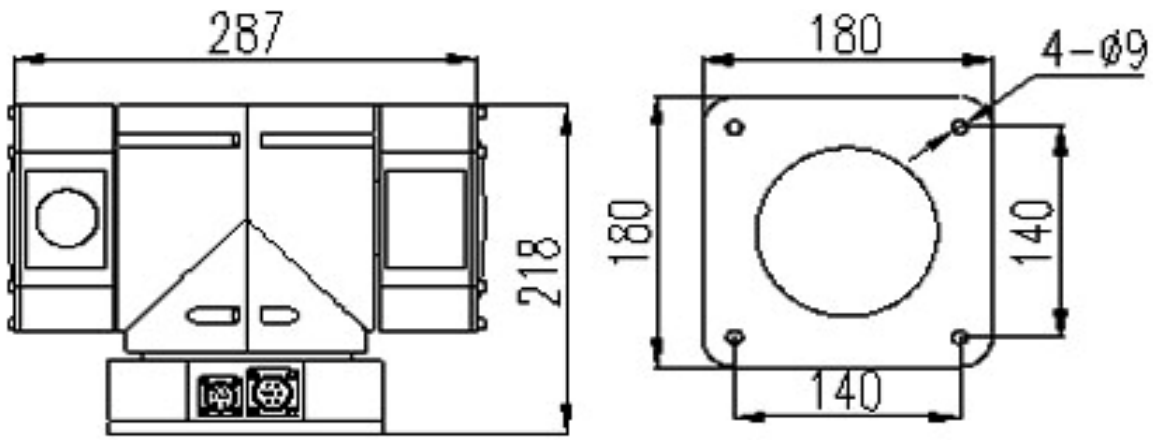
Pan Speed:	0~80°/sec
Tilt Speed:	0~40°/sec
Pan Range:	360° continuously
Tilt Range:	180°
Presets:	128 presets (Total)
Communication:	Multiprotocol, RS485
Weight:	20Lbs / 10Kg
Operating Temperature:	-35°C to +55°C (w/ Housing)

### Power:

Power Supply:	AC24V +/- 1.50
Power Consumption:	30VA
IR LEDs Power Consumption:	8W

### Dimensions(mm):

---



\* Pictures and specifications are subject to change without prior notice

[CD56NVIR User's Manual Link](#)