



- [ABOUT US](#)
- [CONTACT US](#)
- [SUPPORT](#)
- [FAQ](#)
- [HOME](#)
- [EVENTS](#)
- [SEARCH](#)

CM25WN

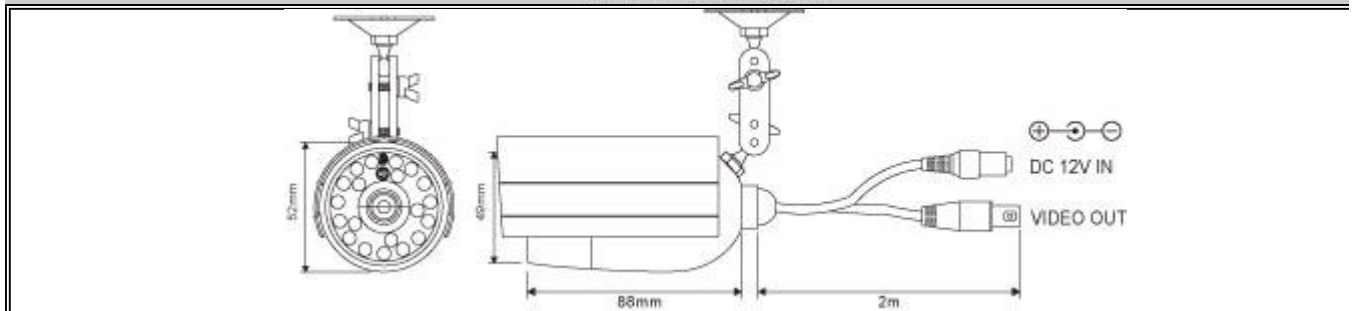
CCD "finger" color camera in a weatherproof enclosure with 20 IR LEDs onboard for night subject paint



Features

- Color DSP with mini fixed Iris lens
- 380 Lines
- 0 Lux with 20 x IR LEDs
- Auto electronic shutter
- Auto Gain control
- 2M Cable with BNC/DC jacks
- Ajustable sun/weather shield
- CCIR or EIA systems

DRAWINGS / LAYOUTS



SPECIFICATIONS

Image sensor	1/4" CCD Color
Picture elements	EIA/ NTSC: 512 Hx492 V- CCIR/ PAL: 512 Hx582 V
Horiz resolution	380 Lines
Min. Illumination	0 Lux with IR LED 20Pcs
Horiz. Sync. Frequency	NTSC: 15.734 KHZ -PAL: 15.625 KHZ
Vert. Frequency	NTSC: 60 HZ -PAL: 50 HZ
Clock	NTSC: 19.0699 MHZ -PAL: 18.9375 MHZ
Scanning	2:1 INTER LACE
S/N Ratio	46dB
Shutter	NTSC: 1/60-1/100,000 sec -PAL: 1/50-1/100,000 sec
Lens	4.3mm/ F2.0
Video O/P	1Vp-p, 75 Ohms
Day/Night	Under 2 Lux in monochrome view
Gamma	0.45
Power requirement	12V DC 100ma (IR off) 160ma (IR on)
Dimensions	52 x 89mm
Weight	250g
Case	Black or Silver Aluminum
Storage Temp.	-30°C-60°C
Operating Temp.	-10°C-45°C

© 2004 COP SECURITY CORP. TAIWAN ALL RIGHTS RESERVED. DATA IS FOR GUIDANCE ONLY. VERIFICATION OF PARAMETERS RECOMMENDED