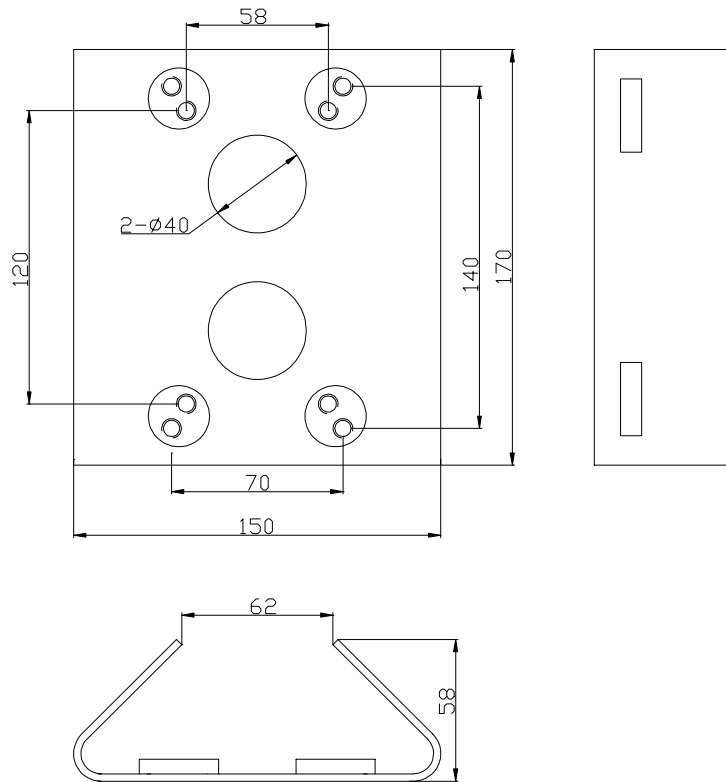


# Bracket for pole BSD-PM



Feature : measure reference picture

Weight : 1200 g

Work temperature :  $-40^{\circ}\text{C} \sim +50^{\circ}\text{C}$

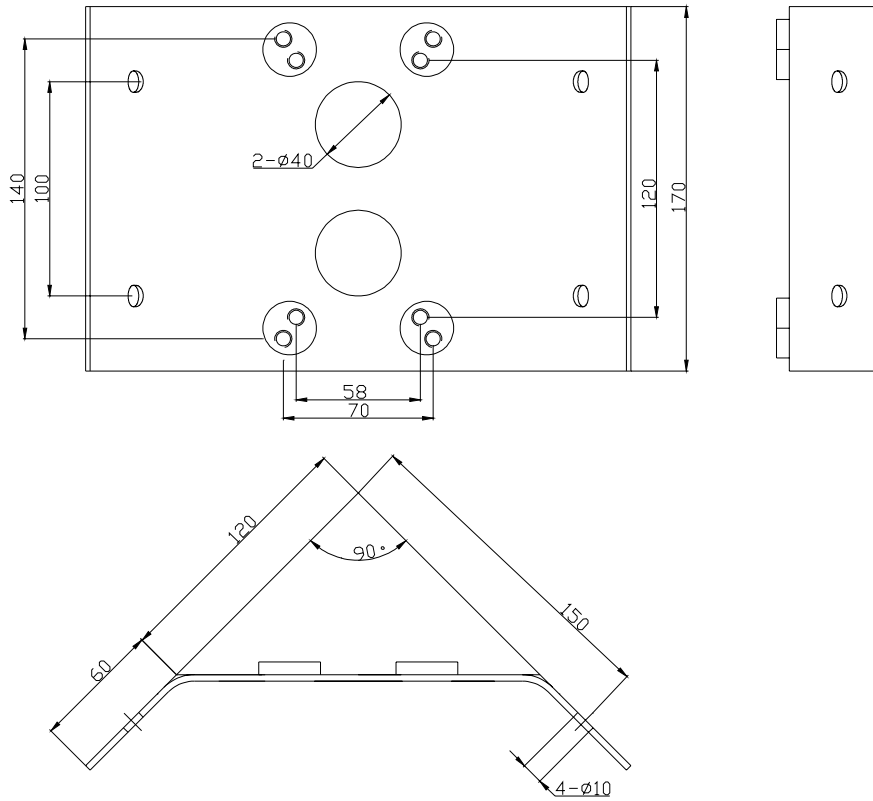
Work humidity : 0~100%

Accessories : fastness metal strip 2 pcs

screw (M8X20) 4pcs

# Corner bracket

## BSD-CORNER



Feature : measure reference picture

Weight : 1100 g

Work temperature :  $-40^{\circ}\text{C} \sim +50^{\circ}\text{C}$

Work humidity : 0~100%

Accessories : screw (M8X20) 4pcs

expand pipe :  $\Phi 8$  4pcs