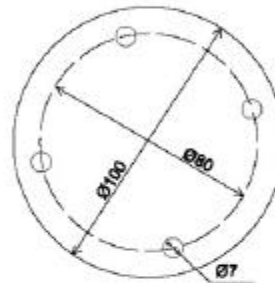
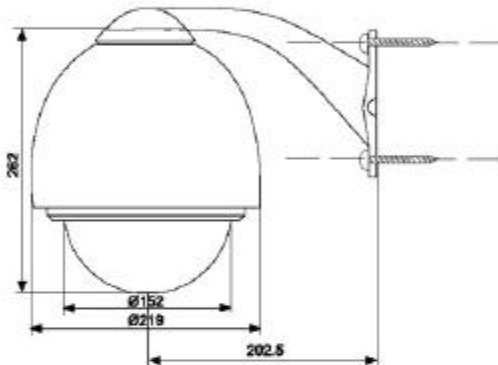
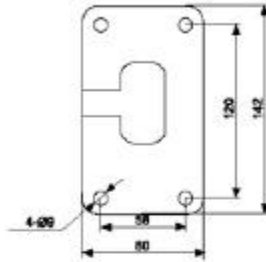


CD67

360° Endless Rotation Speed Dome



Specifications	NTSC	PAL
Image Sensor	1/4" CCD Image Sensor	
CCD Total Pixels	542H x 496V	542H x 586V
VF Output	Compound Signal 1.0Vp-p/75 Ohms	
Scanning System	525 Lines,60 Fields/sec	625 Lines,50 Fields/sec
Power Supply	DC12V ± 1.5A	
Power Consumption	12 VA (Fan/Heater Excluded)	
Weight	3 KGS	
Relative Temperature	10-75% (in Case no Condensation)	
Operation Temperature	0°C~40°C	

Camera Functions

Horizontal Resolution	380 TVL/470 TVL(Enhanced)	
Signal / Noise Ratio	58dB(min)/60dB(TYP) (AGC OFF)	
Digital Zoom(2X)	Manual	
Electronic Shutter	1/60-1/120000sec	1/50-1/120000sec
Lowest Temperature	0.5 Lux F1.2 5600° K	
Mirror Function	Optional	
Gain Control	Average Style AGC	
Iris Control	Automatic	
White Balance	Automatic Tracing White Balance(ATW)	
Image Quality Compensation	Vertical & Horizontal	

Basic Functions of Ball Holder

Horizontal Turning	0~15° /s 360° Unlimited Positions	
Vertical Turning	0~15° /s 0°~ 90° Elevation Angle	
Presets Positions	32 Positions	
Patrol Function	6 Tour LocI can be Stored in Maximum	

