

# **OUTDOOR CAMERA HOUSING WITH WIPER UNIT**

**INSTRUCTION MANUAL**

## I. Summarize

Outdoor full weather housing, body of housing was made by aluminum. Surface was disposed, which has corruptproof. Using the traver-tip, convenience for adjusting ; inside with fan, heater and wiper. Suitting for bad enviroment ; with lens decoder , control convenience. Structure is firmly, it is suit for outdoor.

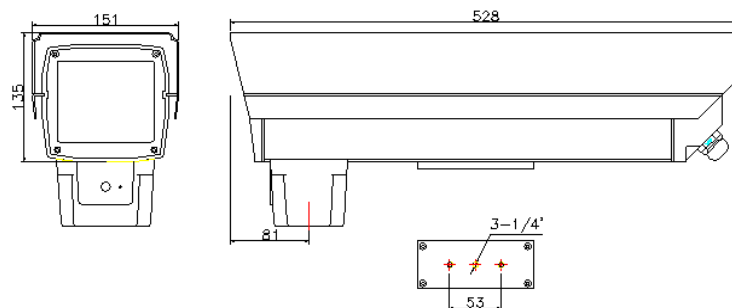
## II. Technology Datas

- 1 . Voltage : AC24V
- 2 . Operating temperature :  $-5^{\circ}\text{C}\sim 45^{\circ}\text{C}$
- 3 . Weight : 5.5Kg

## III. Main components and parameter

Input voltage	AC24V
Heater	$\sim 24\text{V}(20\text{W})$
Fan	DC 12V ( 1.2W )
Temperature control	Over $45^{\circ}\text{C}$ , fan startup Low $-5^{\circ}\text{C}$ , heater startup
Lens control	ZOOM/FOCUS/IRIS : $\pm 12\text{V}$

## IV. Measure



## VI. Installation way

- 1 . Loosening two stainless steel hexagon screws (M4) of back-lid.
- 2 . Installing camera and lens on bottom board, adjusting to proper position.

- 3 . According Figure 1 to connect camera's control wire and power supply. Note : please  
 secern camera's power supply DC12V or AC24V. If power supply is DC12V , could get  
 DC12V from decoder , which could offer Max. current is 850mA for Load.If power  
 supply is AC24V, could get AC24V form decoder.
- 4 . Covering the back-lid and tighten the screws. When using ,please not to put the wiper to  
 work continuously for long times , otherwise ,It will effect the use time.

## VII.Connection Figure

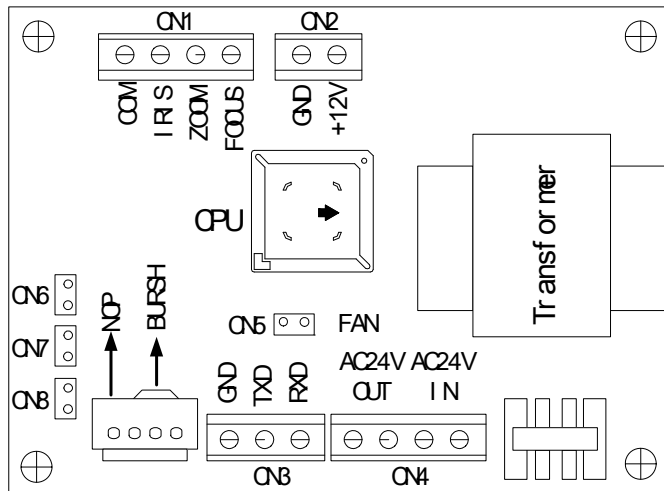


Figure 1

CN3 : communication port , receipting TTL level.

CN2 : offering camera's power supply (DC12V)

CN4 : AC24V OUT could offer AC24V .

CN6 : low 0°C , heater will startup.

CN7 : connecting heater.

CN8 : over 45°C, fan will startup ;

Command For Wiper Function:

CALL 58 – Wiper ON

PRESET 58 – Wiper OFF